



PROJECT

ITEM NO:

QUANTITY:

## Clean Dish Tables

### Straight Design

#### FEATURES & CONSTRUCTION:

- Top is fabricated with 1-1/2" rounded edge on all working sides and 10-1/2" high backsplash.
- Table front edges formed with hemmed edges to provide extra rigidity and safe to touch finished.
- Reinforced table top with sound deadening hat channels.
- All exposed welded areas smooth polished to brush finish sanitary #4.
- Stainless steel legs with welded cross brace.
- Welded stainless steel leg socket for removable "H" style table legs.
- All units shipped K.D. but easily assembled.



NSF STD.2  
Certified



Left Side



Right Side

#### MATERIAL:

Top: 16 Ga. Stainless Steel - 304



Leg: 16 Ga. Stainless Steel  
(1-5/8" Tubing )

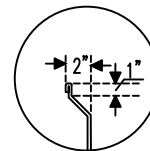
Leg Bracing: 20 Ga. Stainless Steel -201  
(1-1/4" Tubing )

Leg Socket: Stainless Steel

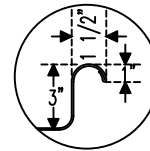
Bullet Feet: Stainless Steel (1" Adjustable )

#### Clean Dish Tables

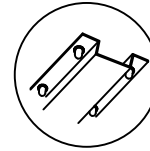
L	Left Side	Right Side
		
MODEL NO.		
24"	SMCDT-24L	SMCDT-24R
30"	SMCDT-30L	SMCDT-30R
36"	SMCDT-36L	SMCDT-36R
48"	SMCDT-48L	SMCDT-48R
60"	SMCDT-60L	SMCDT-60R
72"	SMCDT-72L	SMCDT-72R
84"	SMCDT-84L	SMCDT-84R
96"		SMCDT-96R



45° Slanted Backsplash  
Reinforced With  
Hemmed Edge



Rolled Rim Edge  
Front And Rear  
Reinforced with  
Hemmed Edge



Top Reinforced  
with Hat Channels



Stainless Steel  
Bullet Feet  
1" Adjustable



Rev. 10/20

SAPPHIRE MANUFACTURING  
Tel: 718-543-2111  
Fax: 718-543-2121

info@sapphiremanufacturing.com  
WWW.SAPPHIREMANUFACTURING.COM



PROJECT

ITEM NO:

QUANTITY:

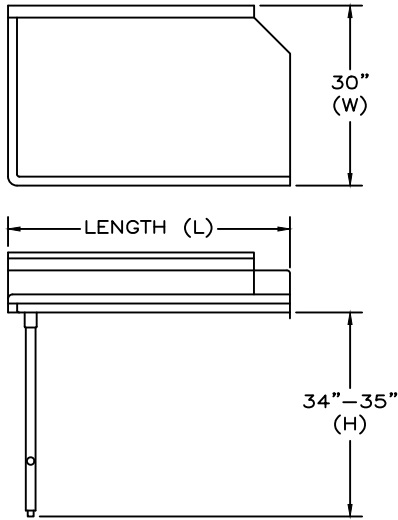
# Clean Dish Tables

## *Straight Design*

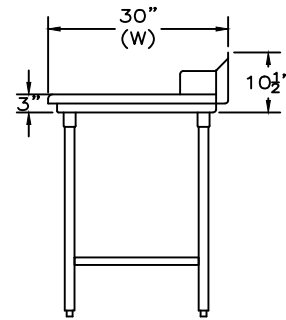
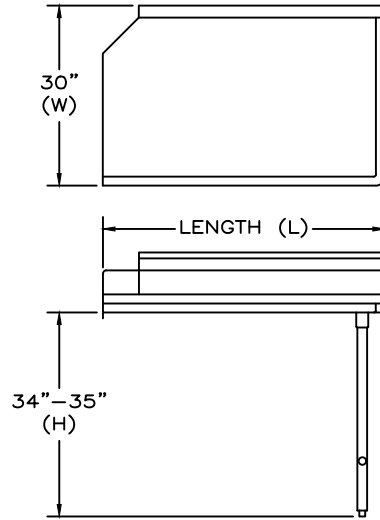


NSF STD.2  
Certified

**Left Side**

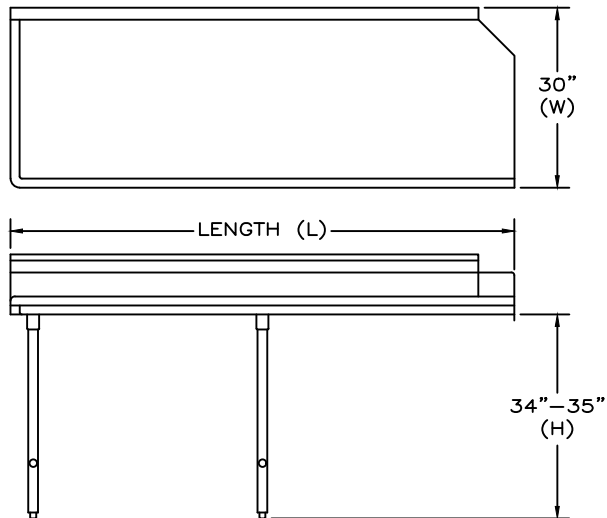


**Right Side**

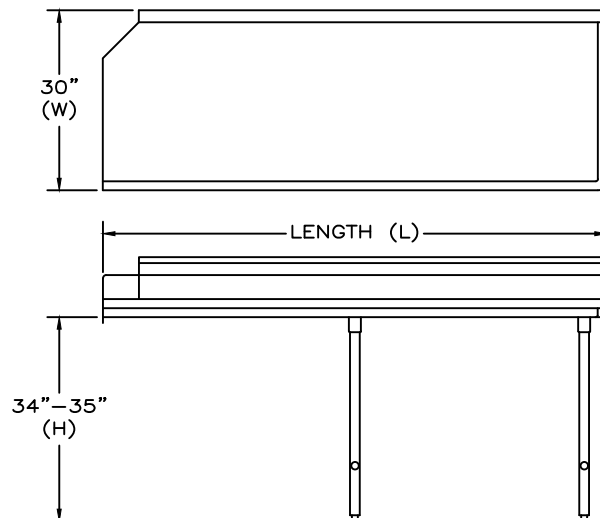


Common End View

**Left Side**



**Right Side**



\* 84" tables and longer come with 4 legs

Specifications subject to change without notice.

All dimensions are typical (Tolerance 1/2").



Rev. 10/20

SAPPHIRE MANUFACTURING  
Tel: 718-543-2111  
Fax: 718-543-2121

info@sapphiremanufacturing.com  
WWW.SAPPHIREMANUFACTURING.COM