



PROJECT _____

ITEM NO: _____

QUANTITY: _____

Undercounter Dish Tables

Straight Design



NSF Certified

FEATURES & CONSTRUCTION:

- Top is fabricated with 1-1/2" rounded edge on working sides and 10-1/2" high backsplash
- Table front and side edges formed with hemmed edges to provide extra rigidity and safe to touched finished.
- Sink bowl to have coved corner with 3/4" radius.
- All exposed welded areas smooth polished to brush finish sanitary #4.
- Welded cross brass.
- Welded stainless steel leg socket for removable table legs.
- 20"x20"x4" deep pre-rinse basket included.
- All units shipped K.D. and easily assembled.



SMUDT-48L



SMUDT-48R

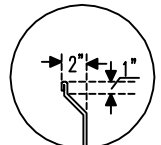


SMUDT-72R

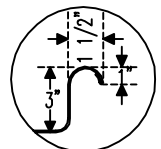


SMUDT-72L

45° Slanted Backsplash
Reinforced With
Hemmed Edge



Rolled Rim Edge Front
And Sides
Reinforced with
Hemmed Edge



Stainless Steel
Bullet Feet
1" Adjustable





3 1/2" Drain
Basket Included



MATERIAL:

- Top: 16 Ga. Stainless Steel - 304
- Sink Bowl: 16 Ga. Stainless Steel - 304
- Leg: 16 Ga. Stainless Steel
(1 5/8" Tubing)
- Leg Bracing: 20 Ga. Stainless Steel -201
(1 1/4" Tubing)
- Bullet Feet: Stainless Steel (1" Adjustable)
- Pre-Rinse Basket: 18 Ga. Stainless Steel - 304

Undercounter Dishtables

		Left Side Sink 	Right Side Sink 
L		MODEL NO.	
48"	SMUDT-48L	SMUDT-48R	SMUDT-48R
72"	SMUDT-72L	SMUDT-72R	SMUDT-72R



SAPPHIRE MANUFACTURING
Tel: 718-543-2111
Fax: 718-543-2121

info@sapphiremanufacturing.com
WWW.SAPPHIREMANUFACTURING.COM

Rev. 11/16



PROJECT

ITEM NO:

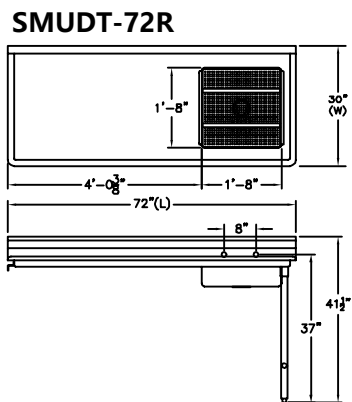
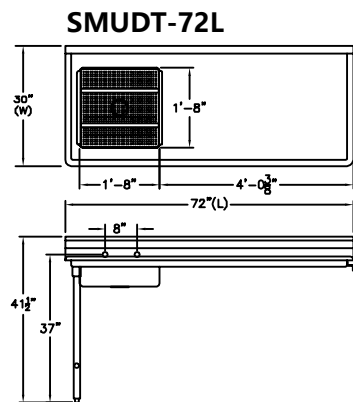
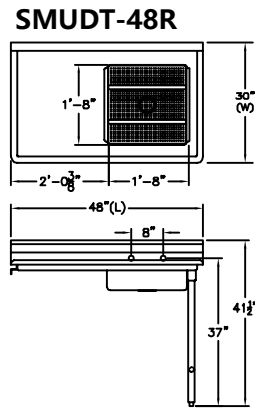
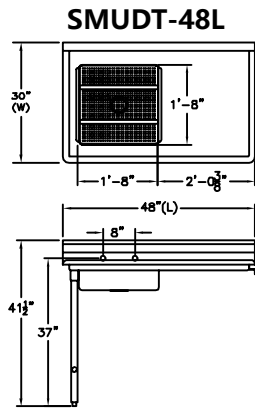
QUANTITY:

Undercounter Dish Tables

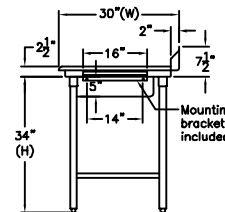
Straight Design



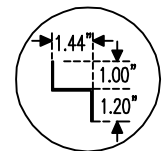
NSF Certified



Common End View



Mounting Bracket Side View



Pre Rinse Basket

FEATURES & CONSTRUCTION:

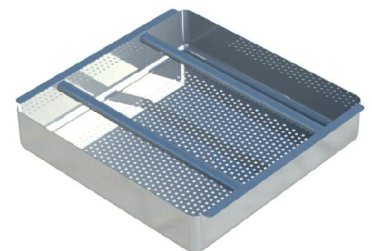
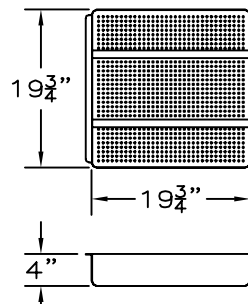
- Perforated Stainless Steel
- Fabricated with 3/4" radius covered corners
- All exposed welded areas smooth polished to brush finish sanitary #4.

MATERIAL:

Bowl: 16 Ga. Stainless Steel - 304
 Cross Rail: 1" Stainless Steel Tubing



NSF Certified



Pre Rinse Basket	
Model	PRB-2020

Specifications subject to change without notice. All dimensions are typical (Tolerance 1/2").



SAPPHIRE MANUFACTURING
 Tel: 718-543-2111
 Fax: 718-543-2121

info@sapphiremanufacturing.com
 WWW.SAPPHIREMANUFACTURING.COM

Rev. 11/16