



PROJECT \_\_\_\_\_

ITEM NO: \_\_\_\_\_

QUANTITY: \_\_\_\_\_

# Work Tables With Built-In Sink

## Operation: Right Sink



NSF Certified

### FEATURES & CONSTRUCTION:

- Top is fabricated with 1-1/2" rounded front edge, flat edge on both ends and 45° slanted backsplash.
- Table front edge formed with hemmed edges to provide extra rigidity and safe to touched finished.
- Sink bowl to have coved corner with 3/4" radius.
- Reinforced table top with sound deadened hatch channels.
- Adjustable undershelf secure to leg aluminum die cast clamp.
- All exposed welded areas smooth polished to brush finish sanitary #4.
- Welded leg socket for removable table legs.
- All tables shipped K.D. and easily assembled.



**SMTPS-2448R**

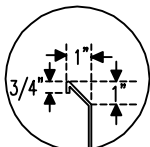
### MATERIAL:

- Top: 16 Ga. Stainless Steel - 304
- Sink Bowl: 16 Ga. Stainless Steel - 304
- Shelf: 18 Ga. Stainless Steel - 400 series
- Leg: 1 5/8" Stainless Steel Tubing, Stainless Steel Leg Socket, 1" Adjustable Stainless Steel Bullet Feet.

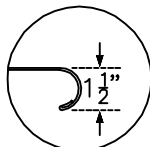


**SMTPS-3072R**

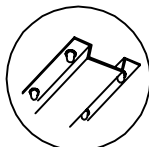
| MODEL#      | TABLE SIZE |     |         | SINK BOWL SIZE |     |     |
|-------------|------------|-----|---------|----------------|-----|-----|
|             | L          | W   | H       | A              | B   | C   |
| SMTPS-2448R | 48"        | 24" | 35 1/2" | 16"            | 16" | 11" |
| SMTPS-2460R | 60"        |     |         |                |     |     |
| SMTPS-2472R | 72"        |     |         |                |     |     |
| SMTPS-3048R | 48"        | 30" | 35 1/2" | 16"            | 20" | 11" |
| SMTPS-3060R | 60"        |     |         |                |     |     |
| SMTPS-3072R | 72"        |     |         |                |     |     |



45° Slanted Backplash



Rolled Rim Edge Front And Rear Reinforced with Hemmed Edge



Hatch Channel Supported



Aluminum Die Cast Clamp For Adjustable Under Shelf



1" Adjustable Bullet Feet



3 1/2" Drain Basket Included



SAPPHIRE MANUFACTURING  
 Tel: 718-543-2111  
 Fax: 718-543-2121

Rev. 11/16

info@sapphiremanufacturing.com  
 WWW.SAPPHIREMANUFACTURING.COM



PROJECT

ITEM NO: \_\_\_\_\_

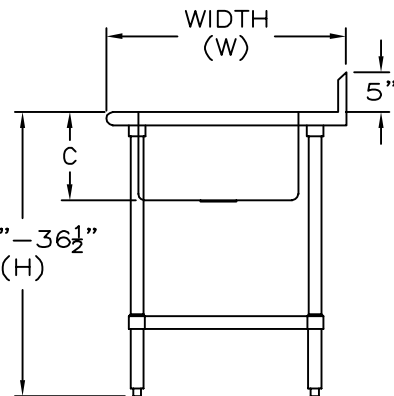
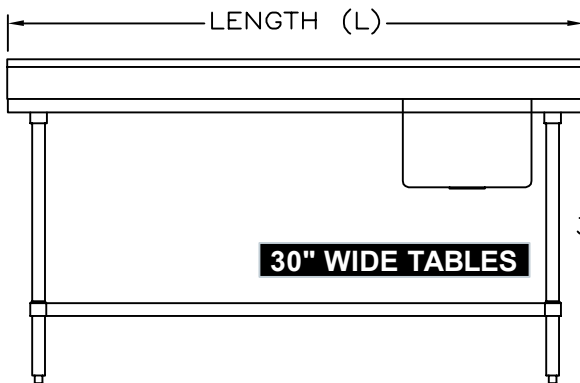
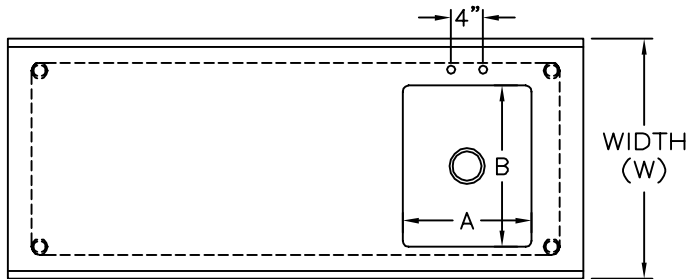
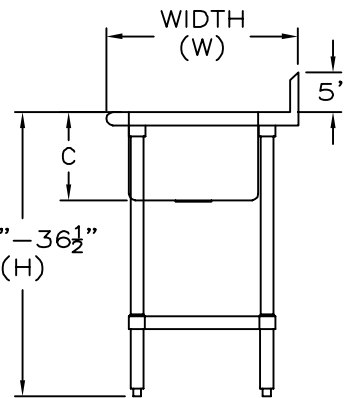
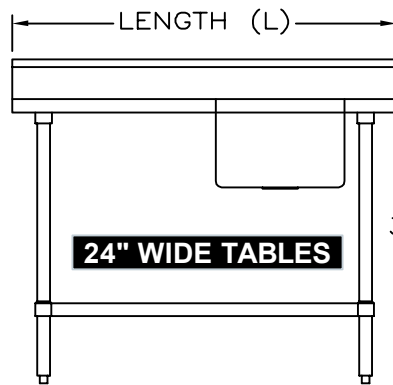
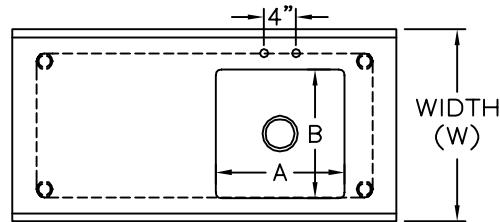
QUANTITY: \_\_\_\_\_

# Work Tables With Built-In Sink

## Operation: Right Sink



NSF Certified



Specifications subject to change without notice. All dimensions are typical (Tolerance 1/2").



SAPPHIRE MANUFACTURING  
Tel: 718-543-2111  
Fax: 718-543-2121

info@sapphiremanufacturing.com  
WWW.SAPPHIREMANUFACTURING.COM

Rev. 11/16