



PROJECT _____

ITEM NO: _____

QUANTITY: _____

Stainless Steel Work Tables

Open Base With Galvanized Cross-Bar



NSF Certified

FEATURES & CONSTRUCTION:

- Top is fabricated with 1-1/2" rounded edge on both working sides and flat edge on both ends.
- Table top edges formed with hemmed edges to provide extra rigidity and safe to touched finished.
- Reinforced table top with sound deadened hatch channels.
- All exposed welded areas smooth polished to brush finish sanitary #4.
- Adjustable cross-bar secure to leg with easily manage Aluminum die cast cross brass fitting.
- Welded leg socket for removable table legs.
- All tables shipped K.D. and easily assembled.

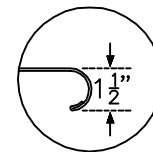


MATERIAL:

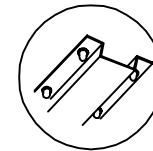
Top: 18 Gauge Stainless Steel - 400 series
 Cross-bar 1 1/4" Galvanized Steel Tubing
 Leg: 1 5/8" Galvanized Steel Tubing, Galvanized Steel Leg Socket, 1" Adjustable Plastic Bullet Feet.

* 84" tables and longer come with 6 legs

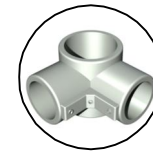
Open Base Table With Galvanized Cross-bar					
W	14"	18"	24"	30"	36"
L	MODEL NO.				
24"	SMT0-1424G	SMT0-1824G	SMT0-2424G	SMT0-3024G	
30"	SMT0-1430G	SMT0-1830G	SMT0-2430G	SMT0-3030G	
36"	SMT0-1436G	SMT0-1836G	SMT0-2436G	SMT0-3036G	SMT0-3636G
48"	SMT0-1448G	SMT0-1848G	SMT0-2448G	SMT0-3048G	SMT0-3648G
60"	SMT0-1460G	SMT0-1860G	SMT0-2460G	SMT0-3060G	SMT0-3660G
72"	SMT0-1472G	SMT0-1872G	SMT0-2472G	SMT0-3072G	SMT0-3672G
84"	SMT0-1484G	SMT0-1884G	SMT0-2484G	SMT0-3084G	SMT0-3684G
96"	SMT0-1496G	SMT0-1896G	SMT0-2496G	SMT0-3096G	SMT0-3696G
108"	SMT0-14108G	SMT0-18108G	SMT0-24108G	SMT0-30108G	SMT0-36108G
120"	SMT0-14120G	SMT0-18120G	SMT0-24120G	SMT0-30120G	SMT0-36120G



Rolled Rim Edge
 Front And Rear
 Reinforced with
 Hemmed Edge



Hatch Channel
 Supported



Aluminum Die Cast
 Fitting For Adjustable
 Cross Bar



Plastic Bullet Feet
 1" Adjustable



SAPPHIRE MANUFACTURING
 Tel: 718-543-2111
 Fax: 718-543-2121

info@sapphiremanufacturing.com
 WWW.SAPPHIREMANUFACTURING.COM

Rev. 11/16



PROJECT

ITEM NO:

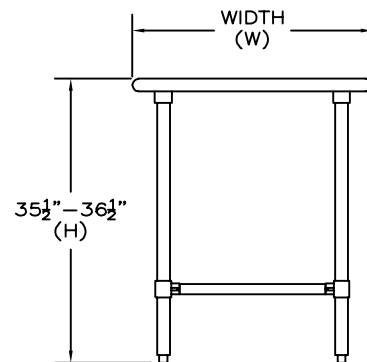
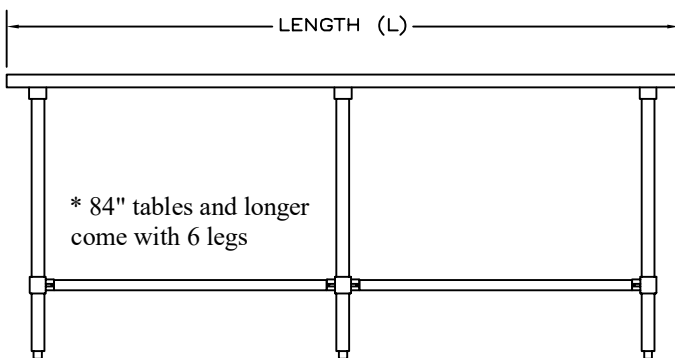
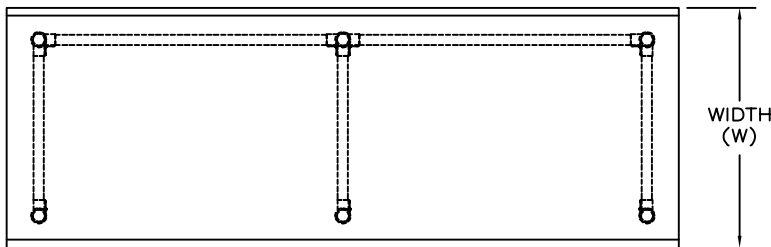
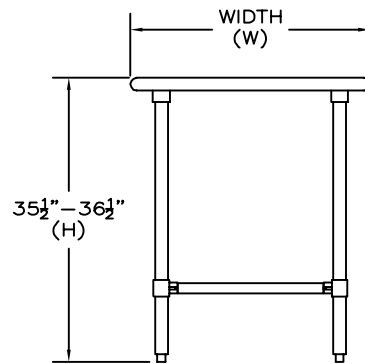
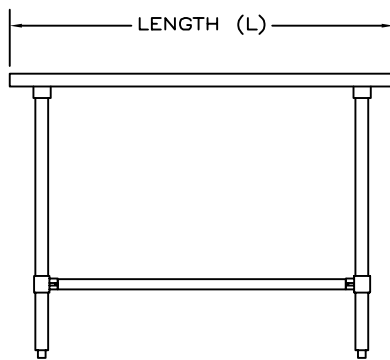
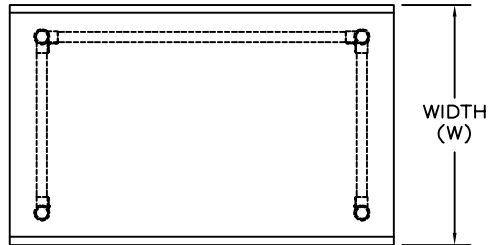
QUANTITY:

Stainless Steel Work Tables

Open Base With Galvanized Cross-Bar



NSF Certified



Specifications subject to change without notice.

All dimensions are typical (Tolerance 1/2").



SAPPHIRE MANUFACTURING
Tel: 718-543-2111
Fax: 718-543-2121

info@sapphiremanufacturing.com
WWW.SAPPHIREMANUFACTURING.COM

Rev. 11/16