



PROJECT

ITEM NO:

QUANTITY:

Slanted Rack Shelves

FEATURES & CONSTRUCTION:

- Solid shelf is fabricated with 1-1/2" rounded front edge and 2" high rear and side splash guard.
- All exposed welded areas smooth polished to brush finish sanitary #4.
- Built-in drain outlet on both sides.
- Removable wall brackets with pre-drill mounting holes.
- All units shipped K.D. and easily assembled.

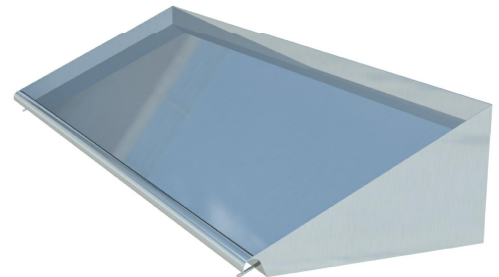


NSF Certified

MATERIAL:

Shelf: 18 Ga. Stainless Steel - 304

Wall Bracket: 18 Ga. Stainless Steel - 304



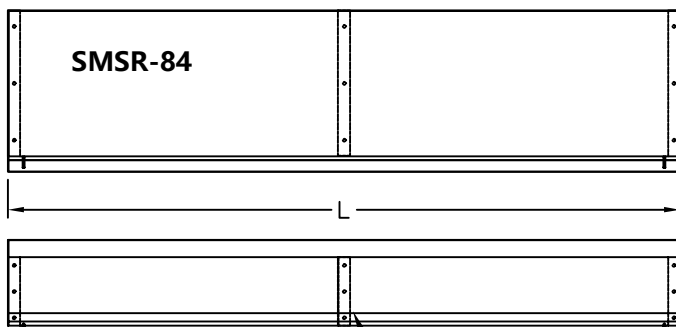
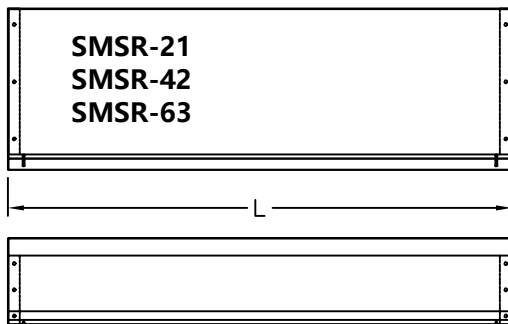
SMSR-63



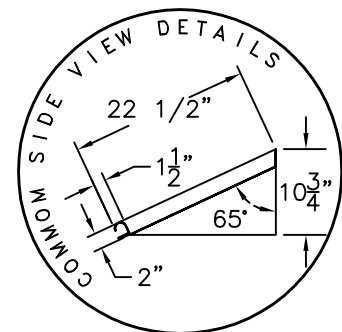
SMSR-84

MODEL#	UNIT SIZE	
	L	D
SMSR-21	21"	22 1/2"
SMSR-42	42"	
SMSR-63	63"	
SMSR-84 ▲	84"	

▲ CENTER WALL BRACKET INCLUDED



▲ Center bracket



Specifications subject to change without notice.

All dimensions are typical (Tolerance 1/2").



SAPPHIRE MANUFACTURING
Tel: 718-543-2111
Fax: 718-543-2121

info@sapphiremanufacturing.com
WWW.SAPPHIREMANUFACTURING.COM

Rev. 11/16