



PROJECT \_\_\_\_\_

ITEM NO: \_\_\_\_\_

QUANTITY: \_\_\_\_\_

# 1 Compartment Sinks

## FEATURES & CONSTRUCTION:

- Top is fabricated with 1-1/2" rounded edge on working sides and 10-1/2" high backsplash
- All exposed welded areas smooth polished to brush finish sanitary #4.
- Welded stainless steel leg socket for removable legs.
- All units shipped K.D. and easily assembled.

Top & Bowls: 18 Ga. stainless steel - 304

Leg set: 1 5/8" galvanized steel tubing, Stainless steel leg socket, 1" adjustable plastic bullet feet.

Optional: Stainless steel legs and bullet feet available for additional charge

	MODEL#	UNIT SIZE			BOWL SIZE			DRAINBOARD	
		L	D	H	A	B	C	LEFT	RIGHT
	SMS1014	15"	19.5"	45"	10"	14"	11"	0	0
	SMS1216	17"	21.5"		12"	16"			
	SMS1416	19"	21.5"		14"	16"			
	SMS1515	20"	20.5"		15"	15"	14"		
	SMS1620	21"	25.5"		16"	20"			
	SMS1818	23"	23.5"		18"	18"			
	SMS1821	23"	26.5"		18"	21"			
	SMS1824	23"	29.5"		18"	24"			
	SMS2020	25"	25.5"		20"	20"			
SMS2424	29"	29.5"	24"	24"					

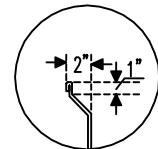
	MODEL#	UNIT SIZE			BOWL SIZE			DRAINBOARD	
		L	D	H	A	B	C	LEFT	RIGHT
	SMS-1416L	30.5"	21.5"	45"	14"	16"	14"	18"	0
	SMS-1515L	32.5"	20.5"		15"	15"			
	SMS-1620L	40.5"	25.5"		16"	20"			
	SMS-1818L	38.5"	23.5"		18"	18"			
	SMS-1821L	38.5"	26.5"		18"	21"			
	SMS-1824L24	44.5"	29.5"		18"	24"			
	SMS-2020L	42.5"	25.5"		20"	20"			
	SMS-2424L	50.5"	29.5"		24"	24"			

	MODEL#	UNIT SIZE			BOWL SIZE			DRAINBOARD	
		L	D	H	A	B	C	LEFT	RIGHT
	SMS-1416R	30.5"	21.5"	45"	14"	16"	14"	0	14"
	SMS-1515R	32.5"	20.5"		15"	15"			
	SMS-1620R	40.5"	25.5"		16"	20"			
	SMS-1818R	38.5"	23.5"		18"	18"			
	SMS-1821R	38.5"	26.5"		18"	21"			
	SMS-1824R24	44.5"	29.5"		18"	24"			
	SMS-2020R	42.5"	25.5"		20"	20"			
	SMS-2424R	50.5"	29.5"		24"	24"			

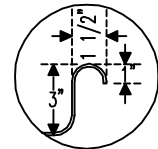
	MODEL#	UNIT SIZE			BOWL SIZE			DRAINBOARD	
		L	D	H	A	B	C	LEFT	RIGHT
	SMS-1416D	42"	21.5"	45"	14"	16"	14"	18"	14"
	SMS-1515D	45"	20.5"		15"	15"			
	SMS-1620D	52"	25.5"		16"	20"			
	SMS-1818D	54"	23.5"		18"	18"			
	SMS-1821D	54"	26.5"		18"	21"			
	SMS-1824D24	66"	29.5"		18"	24"			
	SMS-2020D	60"	25.5"		20"	20"			
	SMS-2424D	72"	29.5"		24"	24"			



NSF Certified



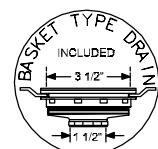
45° Slanted Backsplash Reinforced With Hemmed Edge



Rolled Rim Edge Front And Two Sides



Plastic Bullet Feet 1" Adjustable



SAPPHIRE MANUFACTURING  
Tel: 718-543-2111  
Fax: 718-543-2121

info@sapphiremanufacturing.com  
WWW.SAPPHIREMANUFACTURING.COM

Rev. 5/19



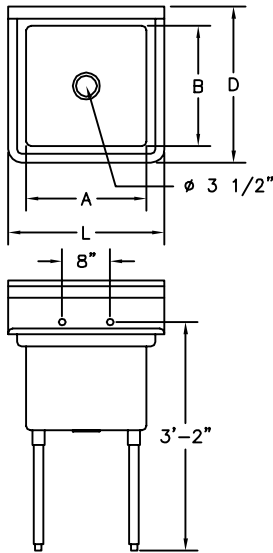
PROJECT

ITEM NO:

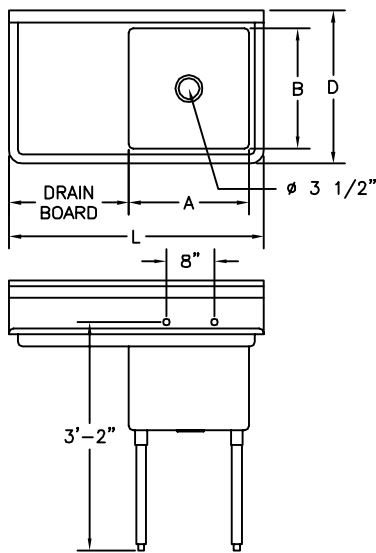
QUANTITY:

# 1 Compartment Sinks

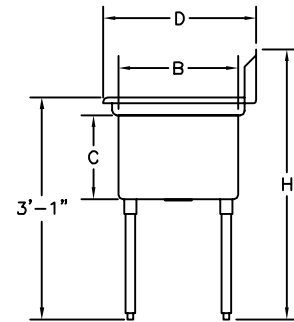
## NO DRAIN BOARD



## DRAIN BOARD: LEFT

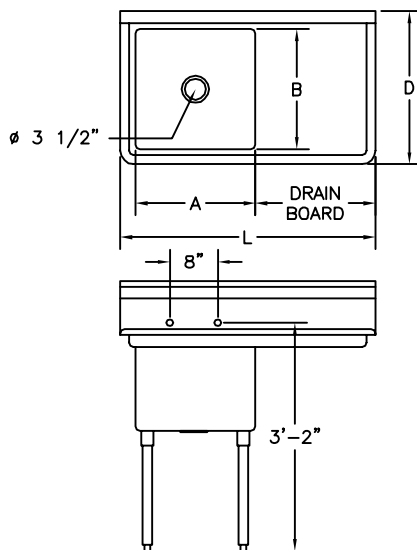


NSF Certified

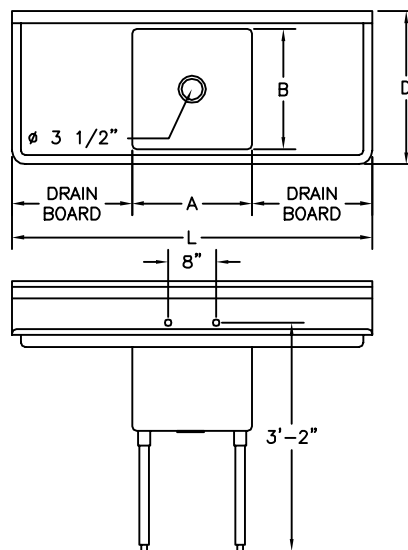


Common End View

## DRAIN BOARD: RIGHT



## DRAIN BOARD: L & R



Specifications subject to change without notice. All dimensions are typical (Tolerance 1/2").



SAPPHIRE MANUFACTURING  
Tel: 718-543-2111  
Fax: 718-543-2121

info@sapphiremanufacturing.com  
WWW.SAPPHIREMANUFACTURING.COM

Rev. 5/19